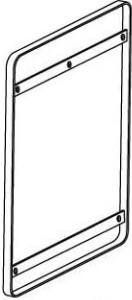
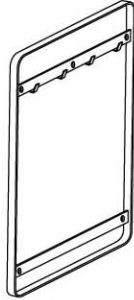
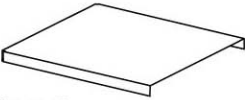


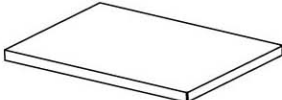





# tower FLEXIBLE MICROWAVE RACK

Thank you for purchasing this product. Please read the instructions carefully before use to ensure safe and satisfactory operation of this product.

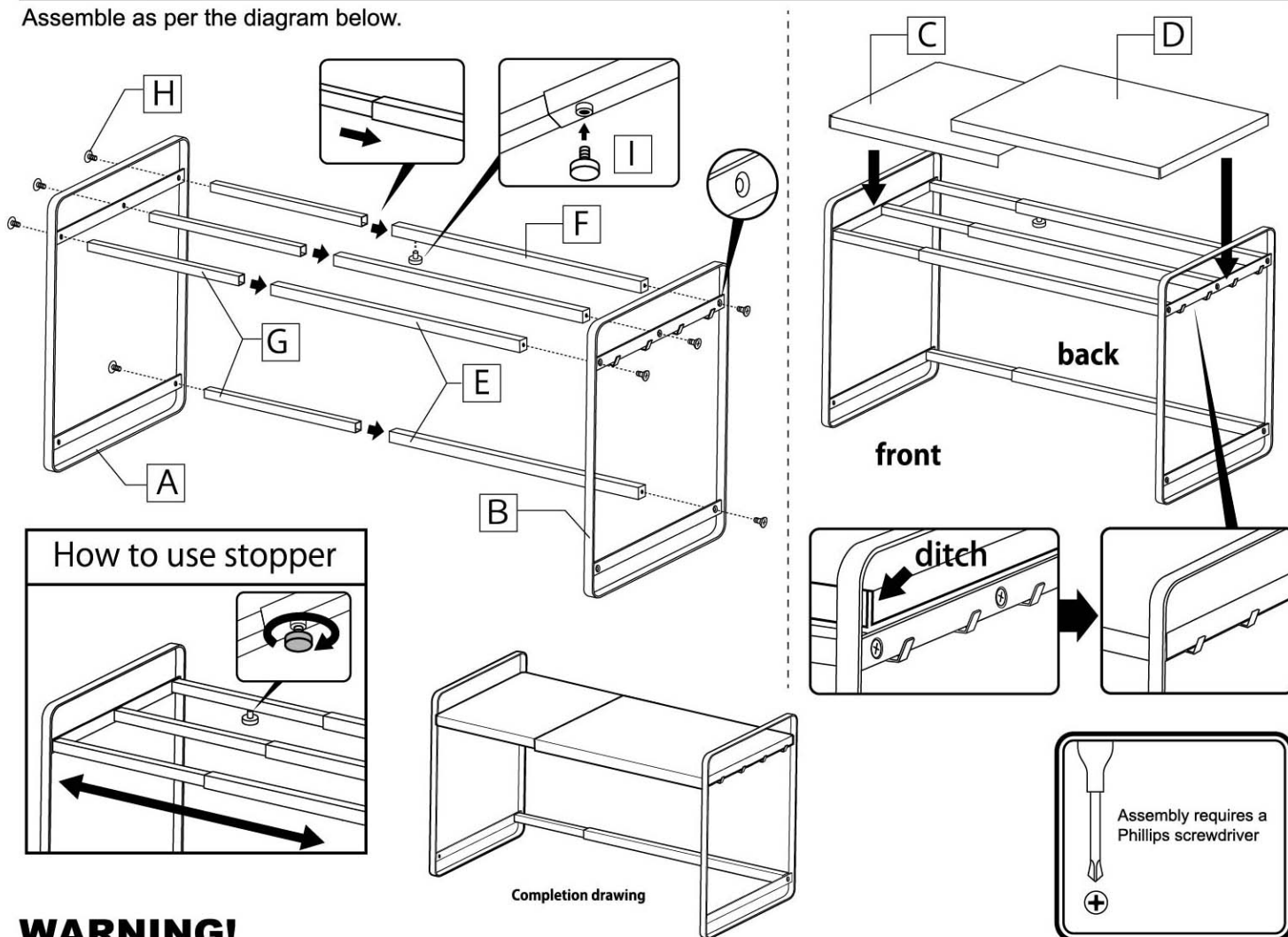
## Package contents

Please check all the parts are included.

		 <b>C×1</b>	 <b>E×3</b>	 <b>G×4</b>
<b>A×1</b>	<b>B×1</b>	 <b>D×1</b>	 <b>F×1</b>	 <b>H×8</b>
				 <b>I×1</b>

## How to assemble

Assemble as per the diagram below.



## WARNING!

Max loading weight for shelf : 24lbs (12kg) and hooks: 1 lbs(500g)

The fittings pack contains small items which should be kept away from young children

## Care and maintenance

Wipe clean with a soft, damp cloth. Do not use scourers or cleaning agents containing abrasives (such as powder cleaners), as this will damage the surface finishes.